



Easy installation



Compact

The engine is cooled by a coolant loop in a closed circuit. The system consists of a heat exchanger, inside which the heat exchange between coolant and sea water takes place. Two separate pumps provide for the circulation of coolant and seawater. Air flows ensure effective cooling of the alternator.

The excellent accessibility makes maintenance operations easier, even with the generator installed in confined environments.

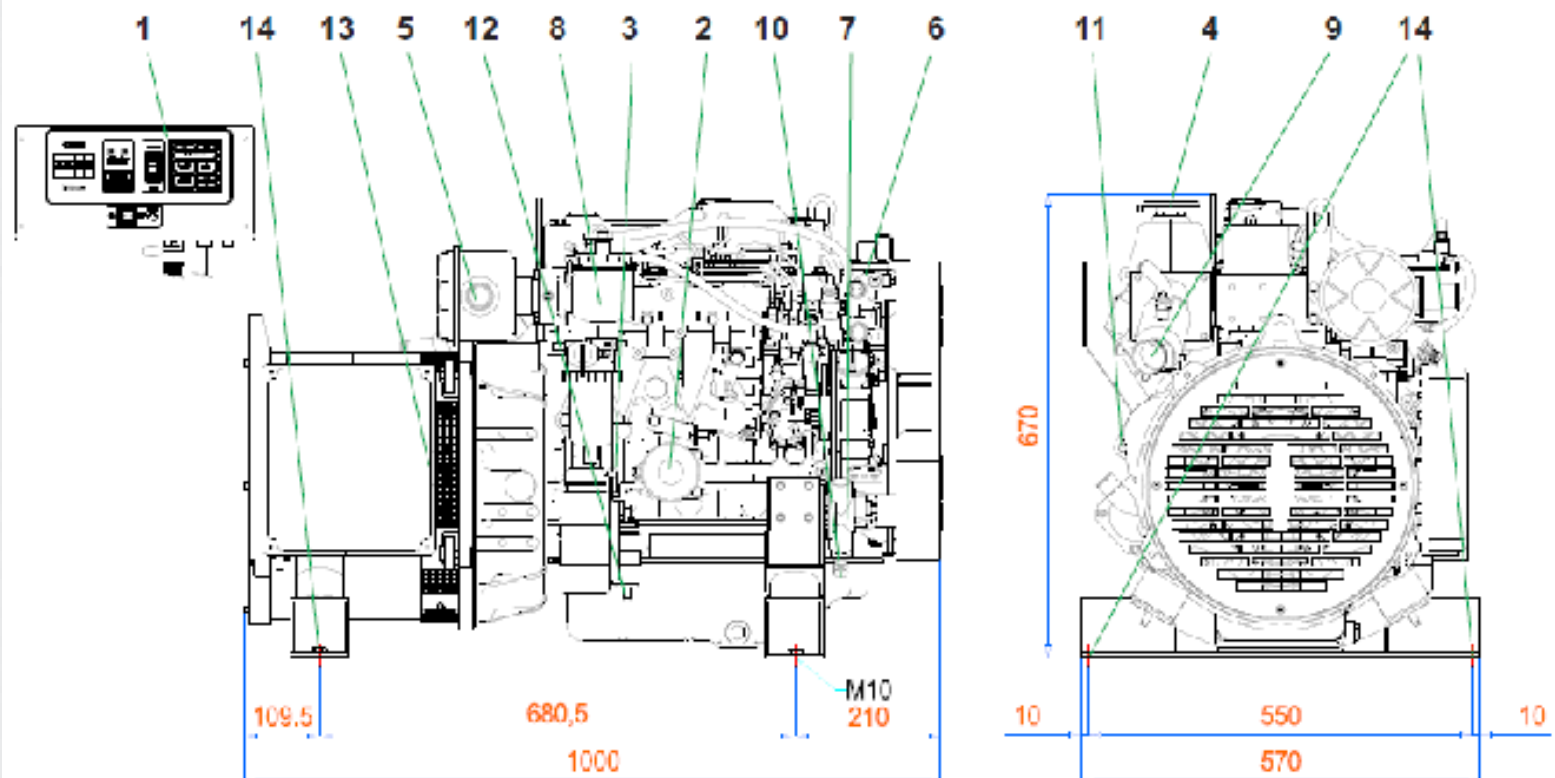


Control panel

- _ CBU EVO IL4 device controls and drives the genset. The large display and control pushbuttons allow easy use and monitoring:
 - Manual start
 - Voltage Vac
 - Frequency Hz
 - Hour meter
 - Genset battery voltage
 - Oil low pressure alarm
 - Engine preheating
 - Engine high temperature alarm
 - Alternator battery charger failure alarm
 - Protection alarm for frequency and rpm
 - Alarm history
 - Maintenance warnings
 - General alarm outlet
 - RUN outlet
 - Ready outlet
 - Programmable AUX outlet
- _ Emergency stop button
- _ Magneto-thermal protection

Engine

- _ Easy maintenance access to the feeding and lubrication systems, the sea water pump and the air filter
- _ Double vibration dumping system
- _ Oil drain pump



- | | | | |
|--------------------------------|------------------------------|---|----------------------------------|
| 1. Control panel | 5. Air filter | 9. Seawater exhaust connection (ø 50mm) | 12. Fuel tank connection (ø 8mm) |
| 2. Engine oil filter cartridge | 6. Closed circuit water pump | 10. Seawater inlet (ø 16mm) | 13. Electric cables outlet |
| 3. Oil dipstick | 7. Seawater pump | 11. Battery connection | 14. Fixing stirrups |
| 4. Engine oil cap | 8. Fuel filter | | |



50 Hz

60 Hz

AC alternator -	Synchronous, 4 poles, with AVR	
Cooling	Air	
Voltage	400 V	480 V
Frequency	50 Hz	60 Hz
Amps	27.7 A	
Max power	19.2 kVA	23 kVA
Continuous power	17.1 kVA	20.8 kVA
Power Factor	cos ϕ 0.8	
Insulating class	H	
Voltage stability	$\pm 2\%$	
Frequency stability	$\pm 5\%$	

The power is referred to an atmospheric pressure of 100 kPa, a humidity percentage of 30% and an ambient temperature of 25°C.

Model	Yanmar 4TNV88	
Type	Diesel	
Cylinder block material	nr 4	
Cylinders	Cast iron	
Bore	88 mm - 3.47 in	
Stroke	90 mm - 3.55 in	
Displacement	2190 cc - 133.64 CID	
Power	24.5 hp - 18.02 kWm (at 1500 RPM)	29.4 hp - 21.63 kWm (at 1800 RPM)
RPM	1500	1800
Compression ratio	19:1	
Engine head material	Direct injection	
Combustion system	Electromagnet	
Speed governor	Electric	
Lubrication system	700 mm - 27.5 in	
Oil sump capacity with filter	Cast iron	
Engine stop system	Mechanical	
Fuel pump	Forced	
Max. fuel pump head	6.70 l - 1.89 gl	
Fuel consumption	5.6 l/h - 1.48 gl/h	6.2 l/h - 1.64 gl/h
Air intake	1500 l/min - 53 cfm	1800 l/min - 64 cfm
Starting battery	80 Ah - 12 V	
Battery charger	40 Ah - 12 V	
Starter motor	1.2 kW - 12 V	
Max. inclination	25°	
Water pump flow	25 l/min - 6.6 gl/min	28 l/min - 7.4 gl/min
Sea water inlet pipe \emptyset	20 mm - 3/4	
Exhaust pipe \emptyset	50 mm - 2"	
Input/Output fuel pipe \emptyset	8 mm - 5/16"	

Dimensions (L x W x H)

1000 x 570 x 670 mm - 39.4 x 22.4 x 26.4 in

Weight

350 Kg - 772 lb



Accessory

Code

Accessories on request

• Filtering kit: seawater intake, water filter, valves, D.20 fittings - ref.	016422
• Exhaust kit: muffler, silencer, exhaust outlet D.50 MASE	04658
• Exhaust kit with supersilenced separator D.50 MASE	010078
• Siphon break D.20 - ref.3	03796
• Vetus LP50 Muffler	71148
• Vetus MP50 Silencer	71751
• Silencer c.71751 with soundproofing sponge	039866
• Vetus LGS5038 Separator	71717
• Centek 2" Muffler - ref.5	71155
• 2" Centek water/gas separator - ref.6	71156
• Start/Stop control panel with 20m cable for Comap IL4 - ref.1	037561
• Start control panel LOGICA Comap IL4 with 20m cable - ref.2	039607
• Cruise Kit	913903

