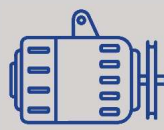


Compact



Asynchronous alternator



Minimal maintenance

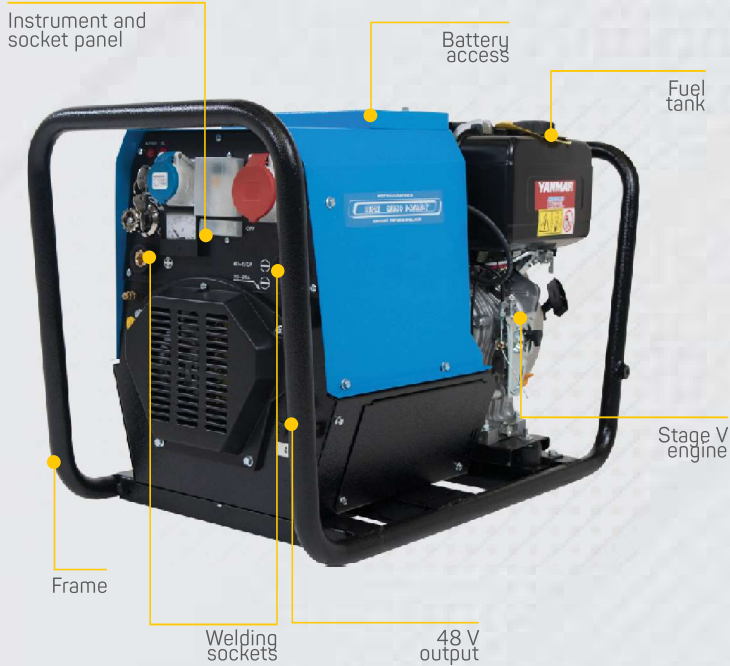
Compact and lightweight portable engine driven welder, equipped with a 3000 RPM Yanmar engine. Asynchronous alternator for enhanced welding current quality, clean and distortion-free waveform. Just like all GenSet engine driven welders, it is designed to be used as both a generator and welder simultaneously, its simple and smart design allows a practical and easy use.



Stage V



MPM 5/180 I-D/AE-Y STANDARD EQUIPMENT



MPM 5/180 I-D/AE-Y



Shielded Metal Arc Welding (SMAW)

Warning lights for:

- battery charger failure
- low oil pressure

Starting battery

Voltmeter

1 x 16 A - 230 V single-phase socket

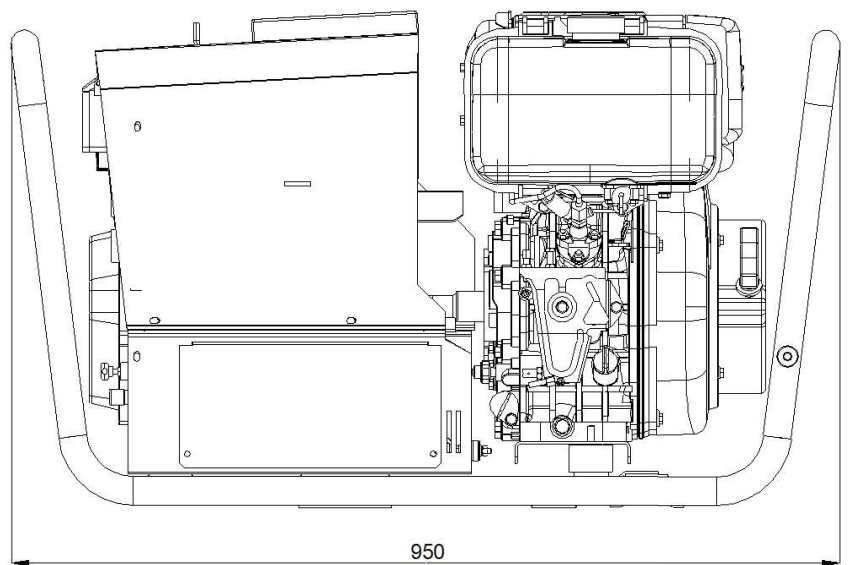
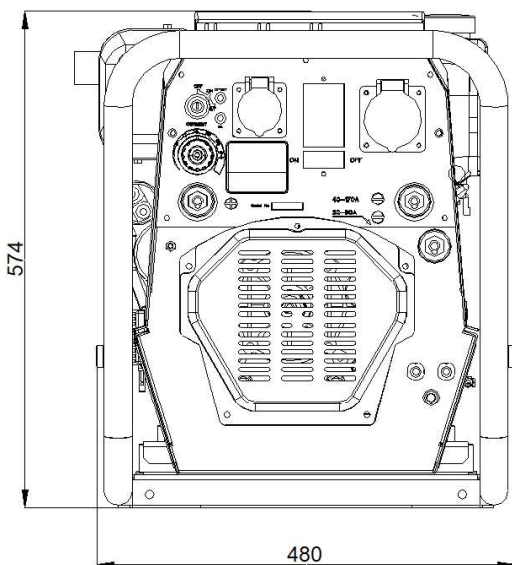
1 x 16 A - 400 V three-phase socket

48 V output

Power outputs protections

Earth leakage circuit breaker (ELCB)

DIMENSIONS IN MM



MPM 5/180 I-D/AE-Y	
Noise level Lwa	99 (74 dB a 7 mt)
AC generator-50Hz	Asynchronous
Three-phase max. power	5 kVA - 400 V
Single-phase max. power	4 kVA - 230 V
Single-phase max. power	1,5 kVA - 48 V
Power Factor	cos ϕ 0,8
DC welding	Electromechanical current regulation
Duty Cycle @ 60%:	140 A - 26 V
Output range:	40 A - 170 A
Open Circuit Voltage:	90 V
Max welding rod:	4 mm
Yanmar 3000 RPM engine	L 100 V
Fuel	Diesel
No. cylinders	1
Power	8,4 HP (6,3 kWm)
Displacement	435 cm ³
Cooling system	Air
Starting system	Electric
Fuel tank capacity	30 lt
Fuel consumption @75%	1,5 lt/h
Insulation Class	H
Ambient temperature	40 °C
Altitude	1000 mt
Degree of protection	IP 23
Dimensions (LxWxH)	950x480x574 mm
Dry weight	148 kg



MPM 5/180 I-D/AE-Y

Options on request

- Hourmeter

Accessories

- 1- ST25 Welding cables with accessories
- 2 wheels trolley with handles



NOTE
