

Compact



Minimal maintenance



Ultra bright LED lights

Compact and lightweight standalone lighting tower, equipped with Yanmar 3000 RPM engine. Ultra-bright LED lights, supplied with site trailer for a practical handling or supplied on base.



LT 5000 Y

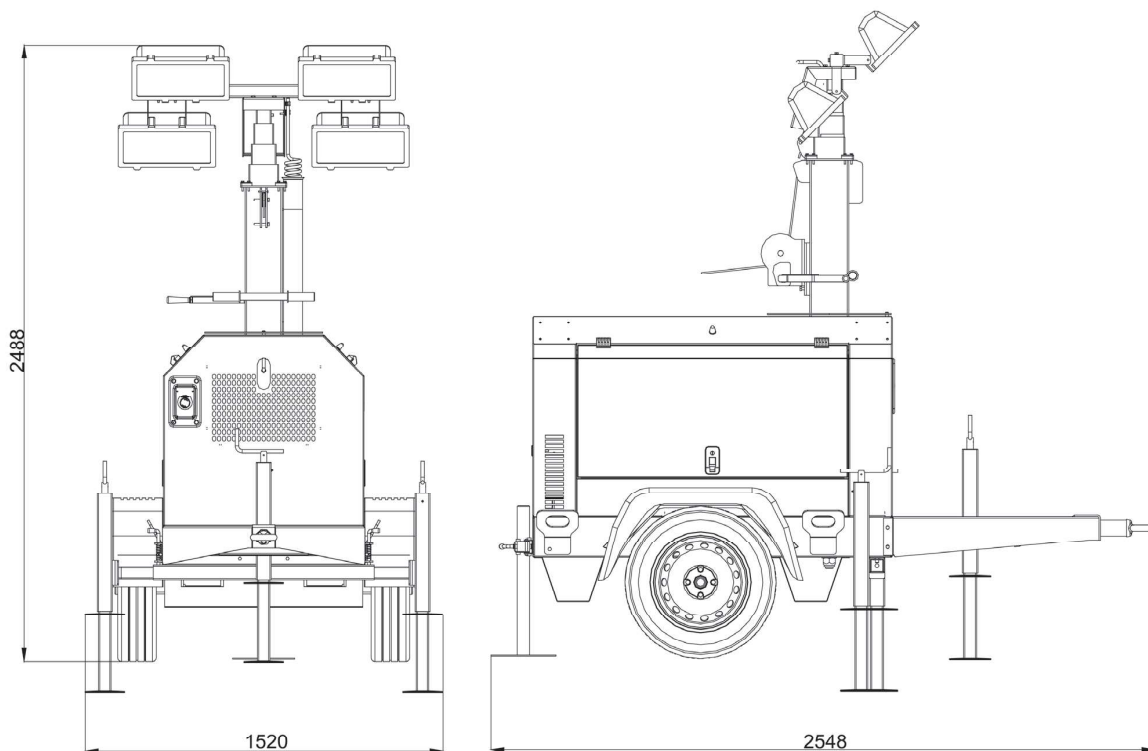
STANDARD EQUIPMENT



LT 5000 Y

8 mt lighting tower (340° rotation) with manual lifting
Auto engine protection shutdown system in case of: low oil pressure, battery charger failure;
Starting battery
Emergency stop button
Hourmeter
Fuel level gauge
230V - 16A single-phase socket
Power output protections
Earth leakage circuit breaker (ELCB)
Lamps switch
3 stabilizers
GRT2W: 2 wheels site trailer - max. speed: 10 km/h
Lifting hooks
Fork-lift pockets

DIMENSIONS IN MM



LT 5000 Y	
Noise level Lwa	95 (70 dB a 7 mt)
AC generator-50Hz	Synchronous
Single-phase max. power	4 kVA - 230 V
Power Factor	cos φ 0,8
Yanmar 3000 RPM engine	L 70 V
Fuel	Diesel
No. cylinders	1
Power	6 hp (4,5 kWm)
Displacement	320 cm ³
Cooling system	Water
Starting system	Electric
Fuel tank capacity	100 lt
Fuel consumption @75%	1 lt/h
Insulation Class	H
Ambient temperature	40 °C
Altitude	1000 mt
Degree of protection	IP 23
Dimensions (LxWxH)	2548x1520x2488 mm
Max. dimensions (LxWxH)	2548x2604x9040 mm
Dry weight	500 kg



LT 5000 Y

Options on request

-1- Floodlight with 4 x 180 W / 4 x 360 W LED lamps



NOTE

