



Easy portable



Lightweight



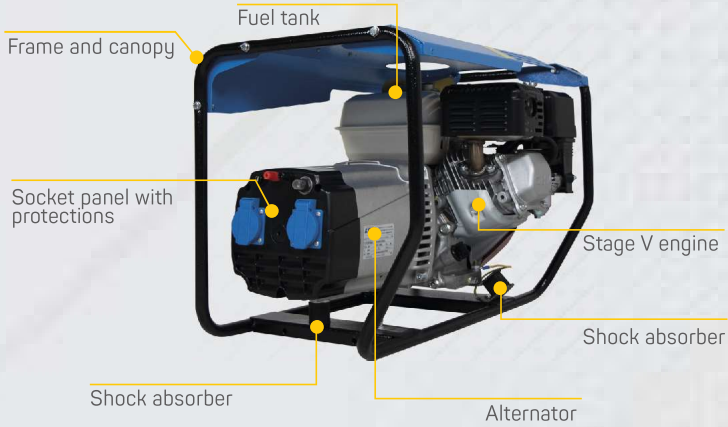
Stage V

Lightweight and easily transportable, the portable generators of the I-HE series are equipped with a Honda 3000 rpm, stage V petrol engine.



# I-HE SERIES

# STANDARD EQUIPMENT



## MG 3000 - 5000 I-HE

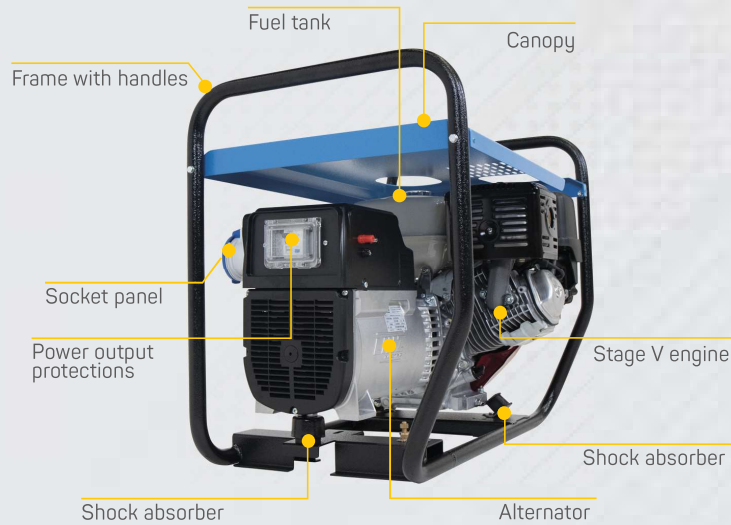
Low oil level shutdown device  
 2 x 230 V single-phase socket  
 Power outputs protections  
 12 Vdc battery charger outlet protected by fuse

## MG 4000 I-HE

Low oil level shutdown device  
 2 x 230 V single-phase socket  
 Power outputs protections

## MG 8000 I-HE

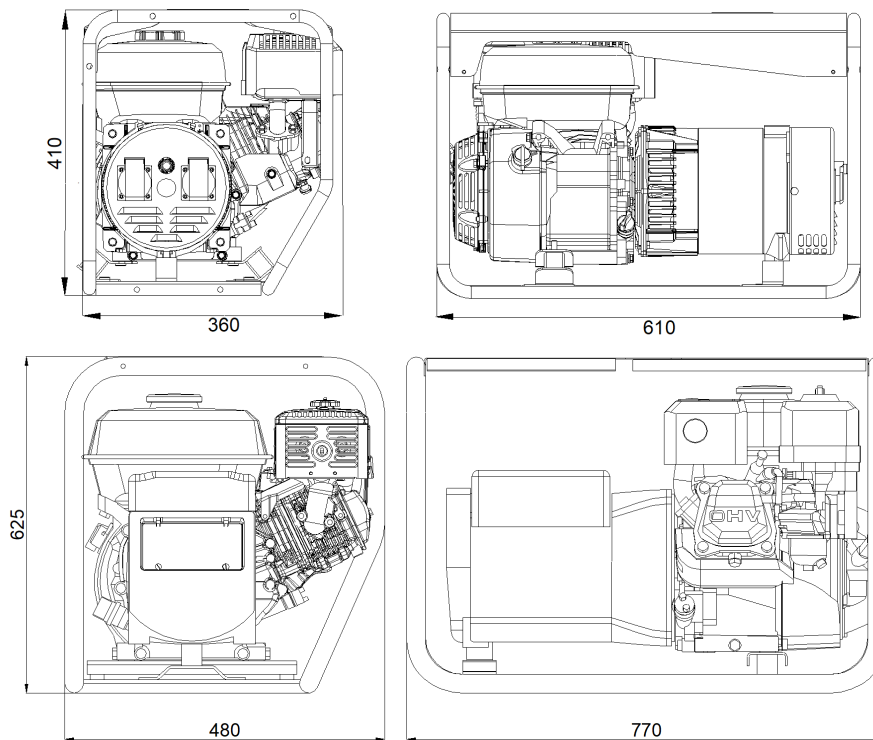
Low oil level shutdown device  
 1 x 32 A - 230 V single-phase socket  
 1 x 16 A - 230 V single-phase socket  
 12 Vdc battery charger outlet protected by fuse  
 Power outputs protections  
 Earth Leakage Circuit Breaker (ELCB)



## MG 7/5 I-HE

Low oil level shutdown device  
 1 x 16 A - 400 V three-phase socket  
 1 x 16 A - 230 V single-phase socket  
 Power outputs protections  
 Earth Leakage Circuit Breaker (ELCB)

## DIMENSIONS IN MM



# I-HE SERIES

# TECHNICAL DATA

	MG 3000 I-HE	MG 4000 I-HE	MG 5000 I-HE	MG 8000 I-HE	MG 7/5 I-HE
Noise level Lwa	95 (70 dB a 7 mt)	98 (73 dB a 7 mt)	95 (70 dB a 7 mt)	97 (72 dB a 7 mt)	
AC generator-50Hz	Synchronous				
Three-phase max. power					7,5 kVA - 400 V
Single-phase max. power	3 kVA - 230 V	3,85 kVA - 230 V	5 kVA - 230 V	7 kVA - 230 V	4 kVA - 230 V
Battery charger power-DC	120W - 12V - 10A				
Power Factor	cos φ 0,8				
Honda 3000 RPM engine	GX 160 OHV	GX 200 OHV	GX 270 OHV	GX 390 OHV	GX 390 OHV
Fuel	Petrol				
No. cylinders	1				
Power	4,3 HP (3,2 kWm)	5,1 HP (3,8 kWm)	7,8 HP (5,8 kWm)	11 HP (8,2 kWm)	11 HP (8,2 kWm)
Displacement	163 cm <sup>3</sup>	196 cm <sup>3</sup>	270 cm <sup>3</sup>	390 cm <sup>3</sup>	163 cm <sup>3</sup>
Cooling system	Air				
Starting system	Recoil				
Fuel tank capacity	3,1 lt	3,1 lt	5,3 lt	6,1 lt	6,1 lt
Fuel consumption @75%	1,4 lt/h	1,5 lt/h	2,2 lt/h	3,3 lt/h	3,3 lt/h
Insulation Class	H				
Ambient temperature	40 °C				
Altitude	1000 mt				
Degree of protection	IP 23				
Dimensions (LxWxH)	610x360x410 mm		770x480x625 mm		
Dry weight	36 kg	38 kg	60 kg	78 kg	80 kg



MG 5000 I-HE

MG 8000 I-HE

MG 7/5 I-HE

Options on request

- 25 lt fuel tank
- Automatic voltage regulator (AVR)

Accessories

- 2 wheels trolley with handles

## NOTE

---

---

---

---

---

