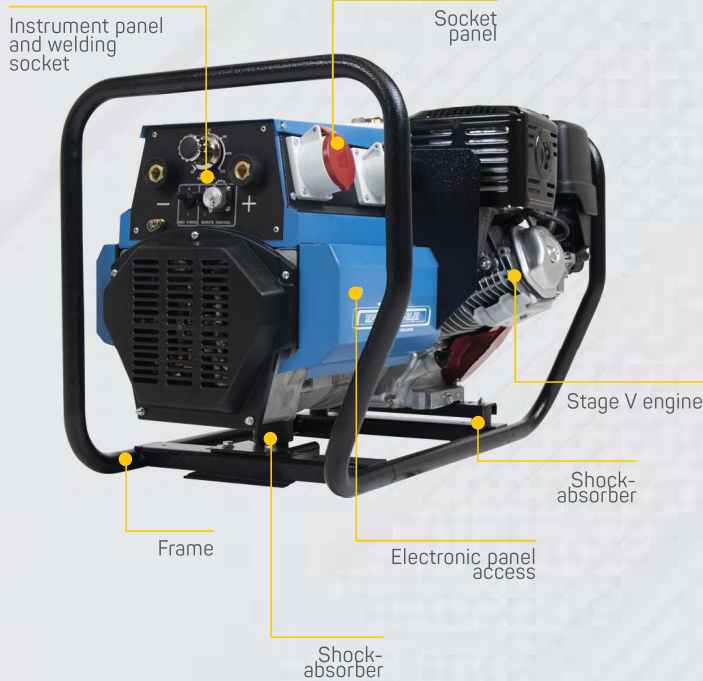


Compact and lightweight portable engine driven welders, equipped with a 3000 RPM Honda engine. Asynchronous alternator for enhanced welding current quality, clean and distortion-free waveform. Just like all GenSet engine driven welders, they are designed to be used as both a generator and welder simultaneously, their simple and smart design allows a practical and easy use.



Stage V





## MPM 5/170 I-CX/H - MPM 5/225 I-EB/H



Shielded Metal Arc Welding (SMAW)

- Low oil level shutdown device
- Voltmeter
- 1 x 16 A - 230 V single-phase socket
- 1 x 16 A - 400 V three-phase socket
- Power outputs protections
- Earth leakage circuit breaker (ELCB)

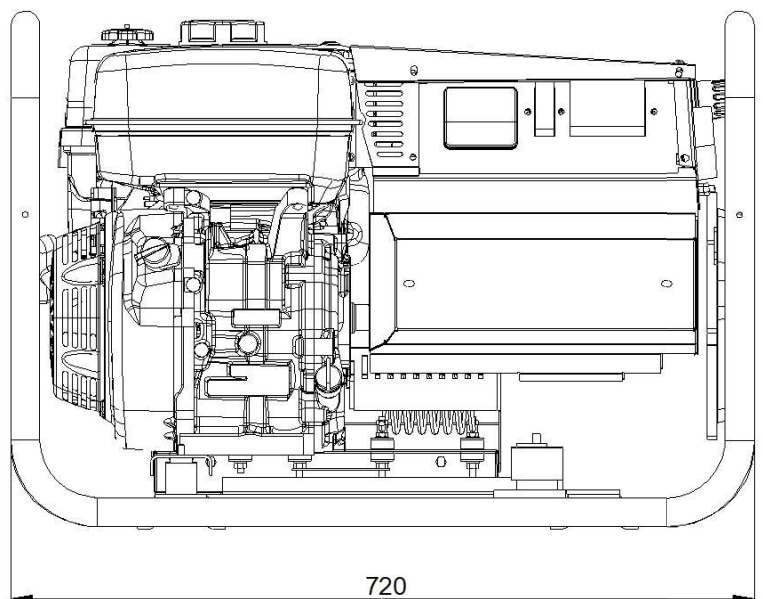
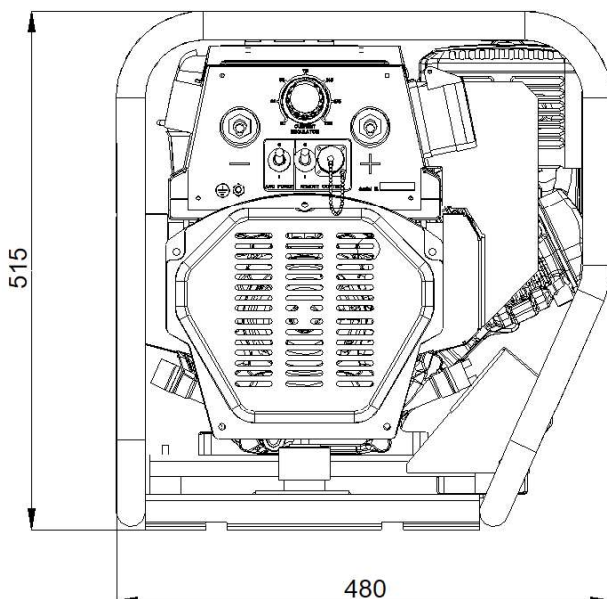
## MPM 5/200 I-EL/H



Shielded Metal Arc Welding (SMAW)

- Welding with cellulosic electrode
- Stepless current adjustment
- Low oil level shutdown device
- Arc force control
- Voltmeter
- Remote control socket
- 1 x 16 A - 230 V single-phase socket
- 1 x 16 A - 400 V three-phase socket
- Power outputs protections
- Earth leakage circuit breaker (ELCB)

## DIMENSIONS IN MM



## MPM 5/170 I-CX/H

## MPM 5/200 I-EL/H

## MPM 5/225 I-EB/H

Noise level Lwa	95 (70 dB a 7 mt)	96 (71 dB a 7 mt)	98 (73 dB a 7 mt)	
AC generator-50Hz Three-phase max. power Single-phase max. power Power Factor	Asynchronous			
	4,5 kVA - 400 V	4,5 kVA - 400 V	5 kVA - 400 V	
	3 kVA - 230 V	3,6 kVA - 230 V	4 kVA - 230 V	
	cos $\phi$ 0,8			
DC welding	Electromechanical current regulation	Electronic current regulation	Electromechanical current regulation*	
	Duty Cycle @ 60%:	140 A - 26 V	150 A - 26 V	170 A - 27 V
	Output range:	40 A - 170 A	30 A - 200 A	40 A - 225 A
	Open Circuit Voltage:	90 V	70 V	90 V
	Max welding rod:	4 mm	4 mm	5 mm

\*electronic regulation available

Honda 3000 RPM engine Fuel No. cylinders Power Displacement Cooling system Starting system Fuel tank capacity Fuel consumption @75%	GX 270	GX 390	GX 390
		Petrol	
		1	
	7,8 hp (5,8 kWm)	11 hp (8,2 kWm)	11 hp (8,2 kWm)
	270 cm <sup>3</sup>	390 cm <sup>3</sup>	390 cm <sup>3</sup>
		Air	
		Recoil	
	5,3 lt	6,1 lt	6,1 lt
	2,2 lt/h	3,3 lt/h	3,3 lt/h

Insulation Class Ambient temperature Altitude Degree of protection Dimensions (LxWxH) Dry weight	H		
	40 °C		
	1000 mt		
	IP 23		
	720x480x515 mm		
	94 kg	96 kg	95 kg



Honda series	
Options on request	· 48 V single-phase output
Accessories	· 1- ST25 welding cables with accessories* · 2- Welding remote control** · 2 wheels trolley with handles

\* ST35 Welding cables with accessories for MPM 5/225 I-EB/H model

\*\* for MPM 5/200 I-EL/H model



## NOTE

---

---

---

---

---

