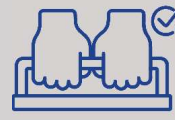


Compact



Asynchronous alternator



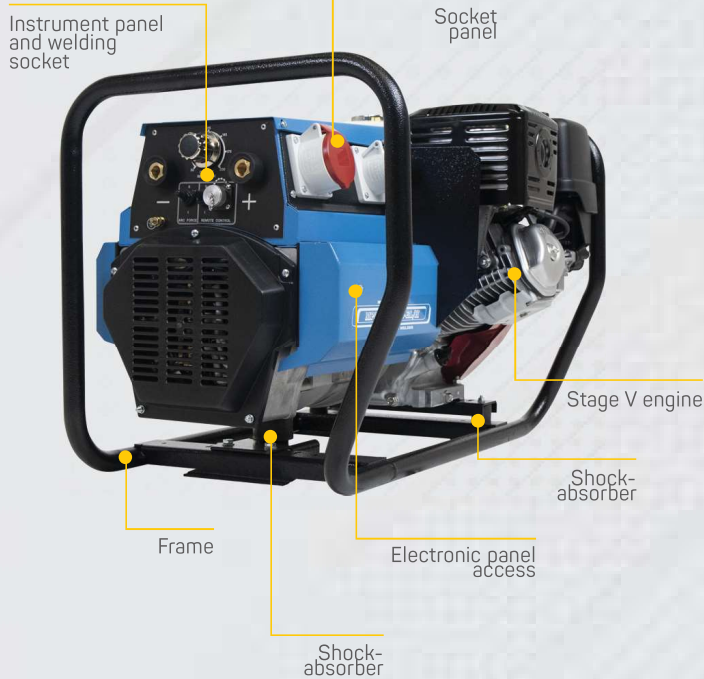
Easy portable

Compact and lightweight portable engine driven welders, equipped with a 3000 RPM Honda engine. Asynchronous alternator for enhanced welding current quality, clean and distortion-free waveform. Just like all GenSet engine driven welders, they are designed to be used as both a generator and welder simultaneously, their simple and smart design allows a practical and easy use.



Stage V





## MPM 5/170 I-CX/H - MPM 5/225 I-EB/H



Shielded Metal Arc Welding (SMAW)

- Low oil level shutdown device
- Voltmeter
- 1 x 16 A - 230 V single-phase socket
- 1 x 16 A - 400 V three-phase socket
- Power outputs protections
- Earth leakage circuit breaker (ELCB)

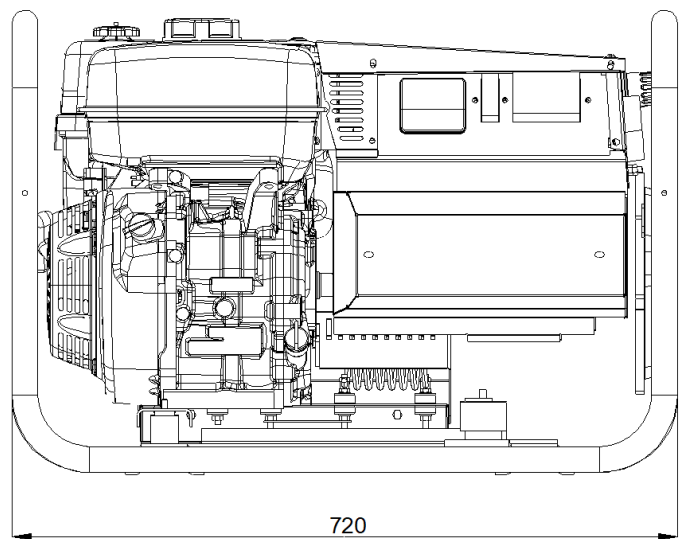
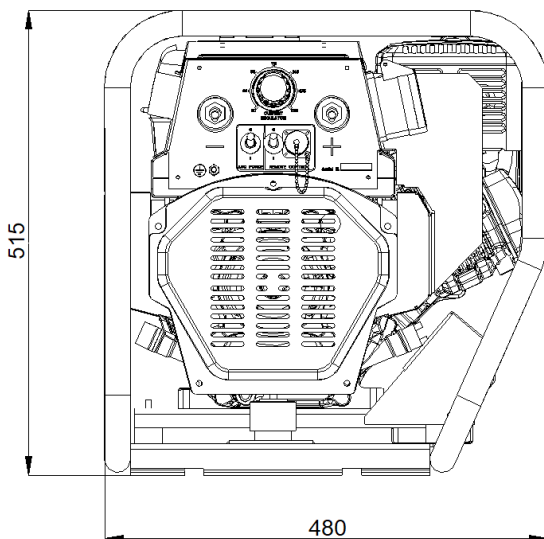
## MPM 5/200 I-EL/H



Shielded Metal Arc Welding (SMAW)

- Welding with cellulosic electrode
- Stepless current adjustment
- Low oil level shutdown device
- Arc force control
- Voltmeter
- Remote control socket
- 1 x 16 A - 230 V single-phase socket
- 1 x 16 A - 400 V three-phase socket
- Power outputs protections
- Earth leakage circuit breaker (ELCB)

## DIMENSIONS IN MM



# HONDA SERIES

# TECHNICAL DATA

	MPM 5/170 I-CX/H	MPM 5/200 I-EL/H	MPM 5/225 I-EB/H
Noise level Lwa	95 (70 dB a 7 mt)	96 (71 dB a 7 mt)	98 (73 dB a 7 mt)
AC generator-50Hz	Asynchronous		
Three-phase max. power	4,5 kVA - 400 V	4,5 kVA - 400 V	5 kVA - 400 V
Single-phase max. power	3 kVA - 230 V	3,6 kVA - 230 V	4 kVA - 230 V
Power Factor	cos $\phi$ 0,8		
DC welding	Electromechanical current regulation	Electronic current regulation	Electromechanical current regulation*
Duty Cycle @ 60%:	140 A - 26 V	150 A - 26 V	170 A - 27 V
Output range:	40 A - 170 A	30 A - 200 A	40 A - 225 A
Open Circuit Voltage:	90 V	70 V	90 V
Max welding rod:	4 mm	4 mm	5 mm
*electronic regulation available			
Honda 3000 RPM engine	GX 270	GX 390	GX 390
Fuel		Petrol	
No. cylinders		1	
Power	7,8 hp (5,8 kWm)	11 hp (8,2 kWm)	11 hp (8,2 kWm)
Displacement	270 cm <sup>3</sup>	390 cm <sup>3</sup>	390 cm <sup>3</sup>
Cooling system		Air	
Starting system		Recoil	
Fuel tank capacity	5,3 lt	6,1 lt	6,1 lt
Fuel consumption @75%	2,2 lt/h	3,3 lt/h	3,3 lt/h
Insulation Class	H		
Ambient temperature	40 °C		
Altitude	1000 mt		
Degree of protection	IP 23		
Dimensions (LxWxH)	720x480x515 mm		
Dry weight	94 kg	96 kg	95 kg



Honda series	
Options on request	<ul style="list-style-type: none"><li>· 48 V single-phase output</li></ul>
Accessories	<ul style="list-style-type: none"><li>· ST25 Welding cables with accessories*</li><li>· Welding remote control**</li><li>· 2 wheels trolley with handles</li></ul>

\* ST35 Welding cables with accessories for MPM 5/225 I-EB/H model

\*\* for MPM 5/200 I-EL/H model

## NOTE

---

---

---

---

---

