

**SUPER
SILENCED**

Soundproof box



Easy installation



Compact

The intercooler W/A assures the perfect functioning of the generator independently of the external ambient temperature, therefore the alternator and the engine will work at ideal temperature optimizing the performance and reliability of the gen-set.

The generator may be installed in any room on the vessel without the need of ventilation blowers.

Extremely compact and quiet, the generator is equipped with a double shock absorbing system to increase comfort: the first one absorbs vibrations from engine-alternator to the frame, the second one absorbs residual micro-vibrations from frame to vessel.



Control panel

_ CBU EVO IL4 device controls and drives the genset. The large display and control pushbuttons allow easy use and monitoring:

- Manual start
- Voltage Vac
- Frequency Hz
- Hour meter
- Genset battery voltage
- Oil low pressure alarm
- Engine preheating
- Engine high temperature alarm
- Alternator battery charger failure alarm
- Protection alarm for frequency and rpm
- Alarm history
- Maintenance warnings
- General alarm outlet
- RUN outlet
- Ready outlet
- Programmable AUX outlet

- _ Emergency stop button
- _ Magneto-thermal protection

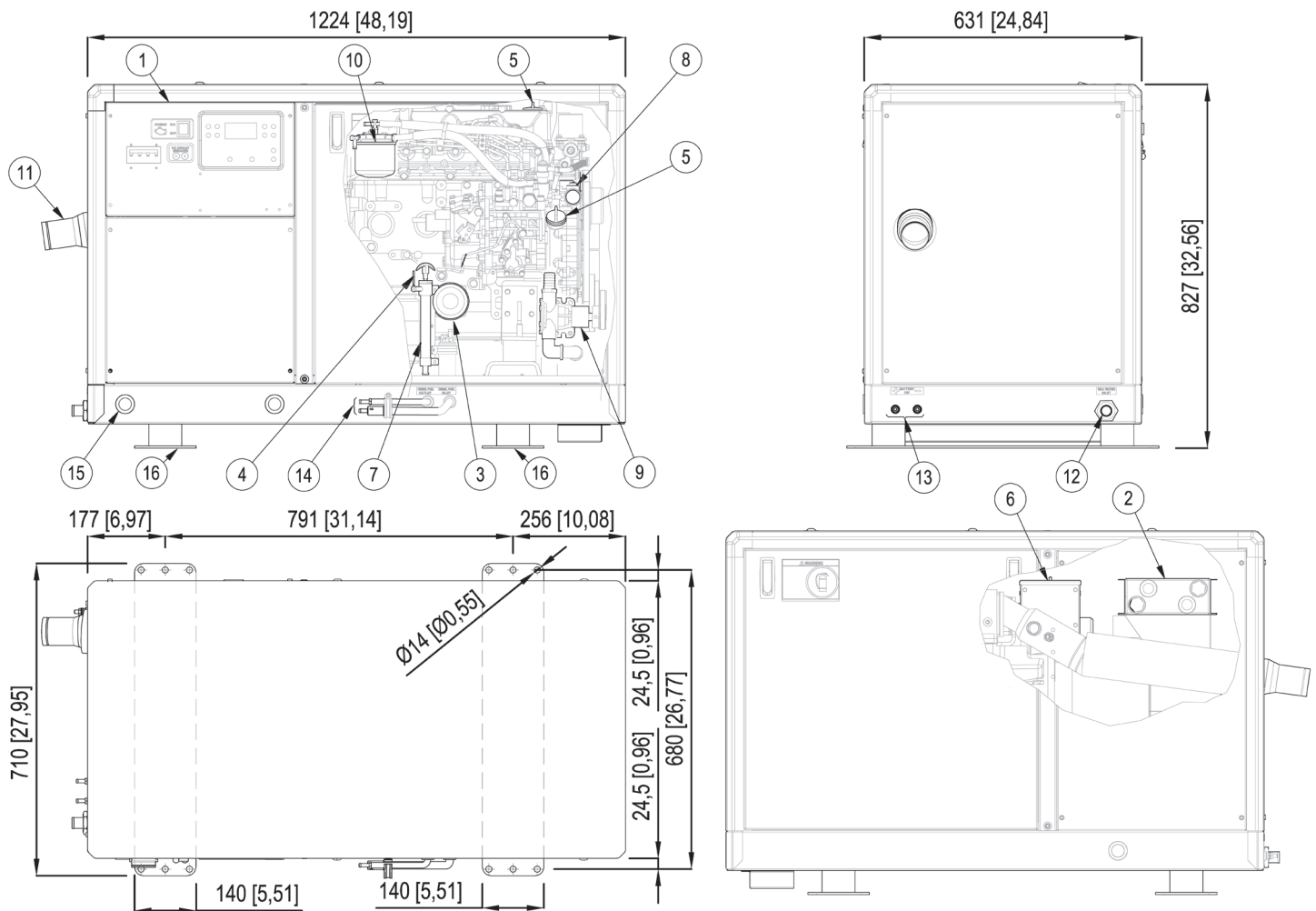
Engine

- _ Easy maintenance access to the feeding and lubrication systems, the sea/water pump and the air filter
- _ Double vibration dumping system
- _ Oil drain pump

Soundproof cabin

- _ Made of extremely light marine aluminum with very high resistance to external agents

Insulated poles kit (for metal hull boats), dry exhaust kit and keel cooling kit are available on request



- | | | | |
|--------------------------|---------------------|----------------------------------|------------------------------------|
| 1. Control panel | 6. Air filter | 11. Exhaust manifold (d.63.5 mm) | 14. Fuel tank connections (d.8 mm) |
| 2. Air / water exchanger | 7. Oil drump pump | 12. Sea water intake (d.24.5 mm) | 15. Cables outlet |
| 3. Oil filter cartridge | 8. Fresh water pump | 13. Battery connections | 16. Genset fixing brackets |
| 4. Oil dipstick | 9. Sea water pump | | |
| 5. Engine oil filler | 10. Fuel filter | | |



50 Hz

60 Hz

AC alternator	Synchronous, 4 poles, brushless, self-energized, with automatic voltage regulator (AVR)	
Cooling	Air/water (Intercooler W/A)	
Voltage	115 or 230 V	120 or 240 V
Frequency	50 Hz	60 Hz
Amps	226 or 113 A	250 or 125 A
Max. Power	26 kW	30 kW
Continuous power	24 kW	28 kW
Power Factor	cos ϕ 1	
Insulating class	H	
Voltage stability	$\pm 2\%$	
Frequency stability	$\pm 5\%$	

The power is referred to a sea water temperature up to 31°, an atmospheric pressure of 100 KPa and a humidity percentage of 30%

Model	Yanmar 4TNV98	
Type	Diesel 4 stroke	
Cylinders	nr 4	
Cylinder block material	Cast iron	
Bore	98 mm - 3.8 in	
Stroke	110 mm - 4.3 in	
Displacement	3319 cc - 169.4 CID	
Power	47 hp - 35.04 kWm	56 hp - 41.75 kWm
RPM	1500	1800
Compression ratio	18:1	
Combustion system	Direct injection	
Engine head material	Cast iron	
Speed governor	Centrifugal mechanical	
Lubrication system	Forced	
Oil sump capacity with filter	10.5 l - 2.3 gl	
Engine stop system	Solenoid valve	
Fuel pump	Electric	
Max. fuel pump head	70 cm - 2.29 ft	
Fuel consumption	7.6 l/h - 1.7 gl/h	8.9 l/h - 1.9 gl/h
Air intake	2500 l/min - 660.43 gl/min	3000 l/min - 792.51 gl/min
Starting battery	80 Ah - 12 V	
Battery charger	40 Ah - 12 Ah	
Starter motor	2.3 kW - 12 V	
Max. inclination	30°	
Water pump flow	40 l/min - 8.8 gl/min	45 l/min - 9.9 gl/min
Sea water inlet pipe \varnothing	25 mm - 1"	
Exhaust pipe \varnothing	63.5 mm - 2 1/2"	
Input/Output fuel pipe \varnothing	8 mm - 5/16"	

Dimensions (L x W x H)	1224 x 631 x 827 mm - 48.2 x 24.8 x 32.6 in (with soundproof box)	
Weight	625 Kg - 1388 lb (with soundproof box)	
Noise Level	54 dBA at 7 mt (23 ft)	56 dBA at 7 mt (23 ft)



Accessory

Code

Accessories on request

1. Remote control panel with 20 mt cable for Comap	037698
2. Remote control panel for Comap IntelliLite4 with 20 mt cable	039608
3. Siphon break D. 25	015849
4. Filtering kit: sea water inlet, sea water strainer, taps, fittings D.25	03793
5. Centek muffler (2" 1/2)	71714
• Muffler Vetus LP60	71711
6. Centek exhaust gas separator (2" 1/2)	71713
• Engine oil pressure and temperature sensor kit (Yanmar)	011084
• Silencer Vetus MP60	71746

